

COB LED Spotlight



PARC-100E/WWS

Order No. 38.8100



INSTRUCTION MANUAL



Contents

Section 1. Getting Started

- ✧ Unpacking
- ✧ Safety Instructions

Section 2. Set Up

- ✧ Installation
- ✧ Controlling Board
- ✧ Machine Connection

Section 3. Troubleshooting

- ✧ Troubleshooting

Section 4. Reference

- ✧ DMX Protocol
- ✧ Specifications

Section 1. Getting Started

- ✧ Unpacking
- ✧ Safety Instructions

Unpacking

- 1pc fixture (lamp installed)
- 1pc User Manual

Thanks for using our PARC-100E/WWS. Carefully unpack the box and check the contents to ensure that all parts are present and in good conditions. If anything damaged during transit, notify the shipper immediately and keep the packing material for inspection.

Again, please save the carton and all packing materials. If the fixture must be returned to manufacturer, it is important that the fixture be returned in the original manufacturer box and packing.

Safety Instructions



For your safe , please read this user manual carefully before turn on the fixture. This machine should be operated by qualified engineer !

- Please conserve this manual as operation guidance. If you sell this product to other user, please make sure that they also receive this user manual.
- Always make sure that you are connecting to the proper voltage and the line voltage not higher than stated on the decal or rear panel of the fixture.
- This lighting is intended to indoor use only. To prevent risk of fire or shock, do not expose fixture to rain or moisture. Make sure there are no flammable, explosive or corrosive materials surrounded in 0.5meters while operating.
- The unit must be installed in a location with adequate ventilation, at least 1m away from adjacent surfaces. Be sure that no ventilation slots are blocked.
- Fixture may carry high heat, do not aim at objective exceeding 2 minutes.
- Safe wire should be used to install machine. Bearing of safe wire should be 3 times of the machine weight.
- Always disconnect from the power source before servicing or replacing fuse/lamp and be sure to replace with same fuse/lamp size and type. Cut off power before moving, repairing and cleaning the machine.
- To avoid electric shock, all fixtures must be connected to circuits with a suitable ground.
- Always secure fixture using a safety chain and carrying handles. Never carry the fixture by its cord.
- Do not operate at ambient temperatures higher than 40°C (104°F).
- In case of failure or malfunction occurred, stop using the unit immediately. Never try to repair the unit by yourself. Repairs carried out by unskilled people can lead to damage or malfunction. Please contact the nearest authorized technical assistance center. Buy the same spare parts/components from manufacturer directly.
- Make sure the power cord is never crimped or damaged.
- Avoid direct eye exposure to the light source while it is on.
- Do not power on and power off the fixture in a short time.
- When use DMX controller, please make sure that there is no interference sources (e.g. intercom, high frequency radio waves and radiation source).

Caution!

There are no user serviceable parts inside the unit. Do not open the housing or attempt any repairs yourself. If exceptional problem happen, please contact related after-sale department or manufacturer.

Any damage that caused by violating this manual is out of insurance, our company will not take the responsibility.

Section 2. Set Up

- ◇ Installation
- ◇ Controlling Board
- ◇ Machine connection

Installation

- This machine should be mounted through the screw holes of truss. Safety wire is a must to fix fixture well. Make sure truss and safety wire have strong load capacity to bear 3 times weight than fixture at least.
- This machine should be installed by qualified technician.

Controlling Board

The display is blackout automatically if there is no any operation within 30 seconds;
 Press Enter and hold for 5 seconds to show light current operating temperature;
 Press MENU and hold for 5 seconds to lock KEY; Press MENU and hold for 5 seconds to
 unlock KEY.

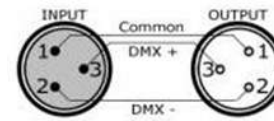


Button

Menu	Switch menu level / to return the higher menu level
UP	Scroll upwards
DOWN	Scroll downwards
ENTER	Confirm and save a setting

Machine Connection

Cables must have a male XLR connector on one end and a female XLR connector on the other end.



A word on termination: DMX is a resilient communication protocol, however errors still occasionally occur. Termination reduces signal errors, and therefore best practices include use of a terminator in all circumstances. If you are experiencing problems with erratic fixture behavior, especially over long signal cable runs, a terminator may help improve performance.



To build your own DMX Terminator: Obtain a 120-ohm, 1/4-watt resistor, and wire it between pins 2&3 of the last fixture. They are also readily available from specialty retailers.

Complimentary signal cable can transmits signals to 20 unit fixtures at most. Signal amplifier is a must to connect more fixtures and must weld a 120-ohm, 1/4-watt resistor, and wire it between pins 2&3 of the last fixture

Section 3. Troubleshooting

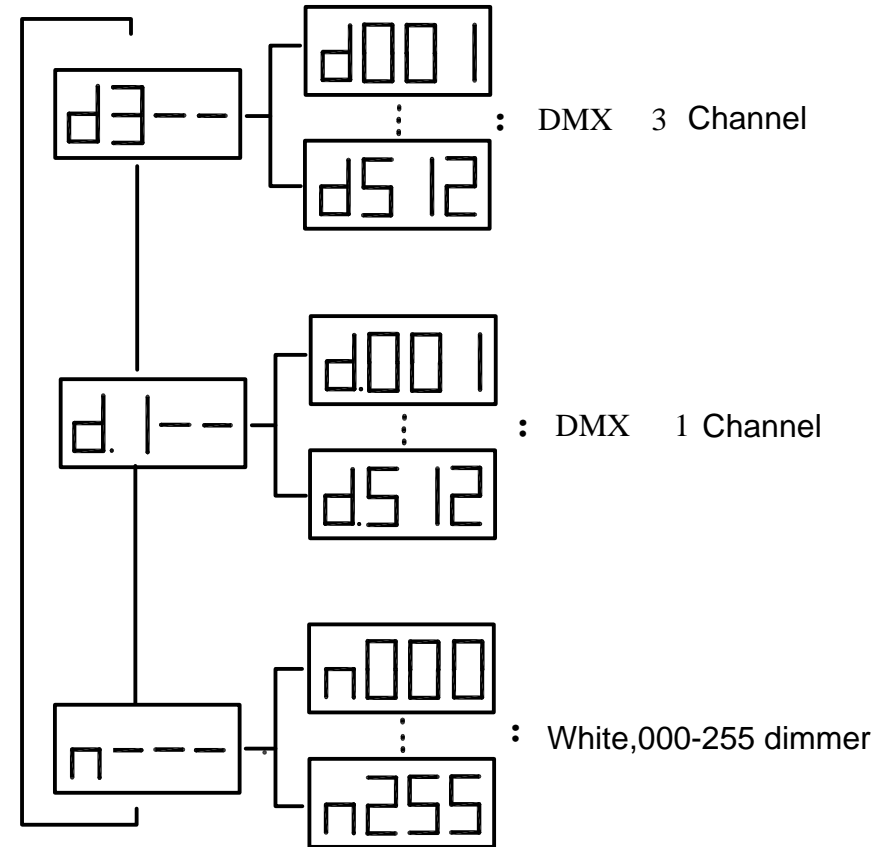
Troubleshooting

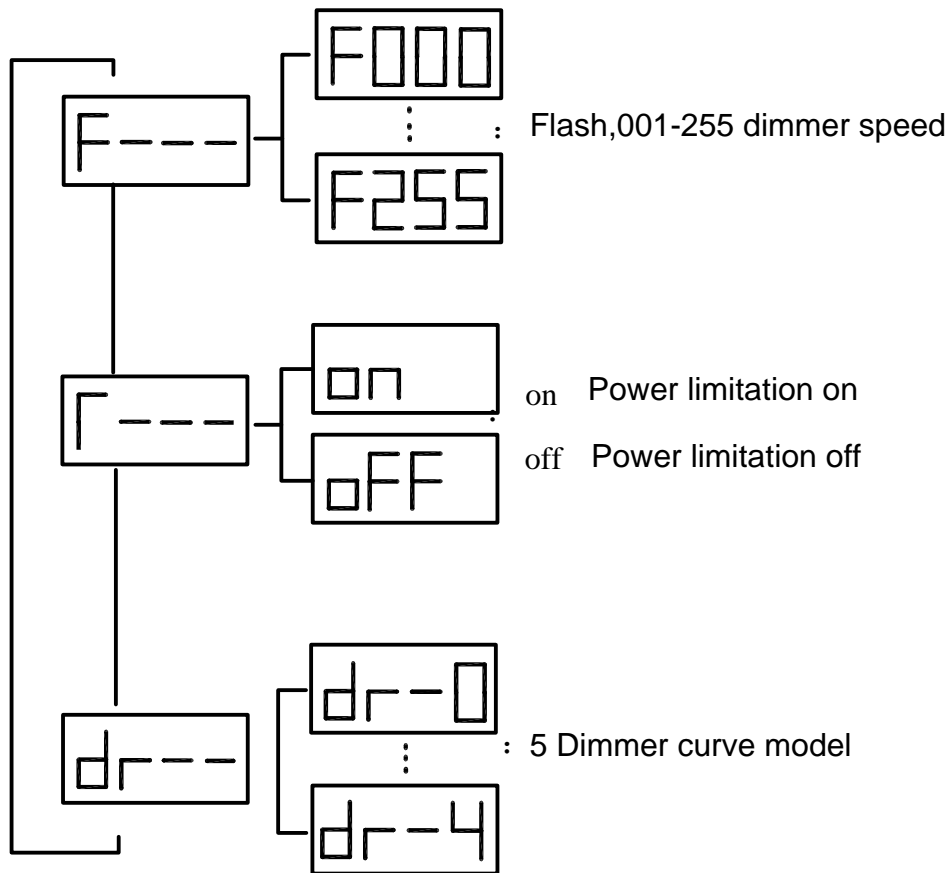
Problem	Probable cause(s)	Remedy
No response from fixture when power is applied	No power to fixture	Check power cables
Fixture resets but does not respond correctly to controller(DMX mode operation)	Controller not connected	Connect controller
	Incorrect addressing of the fixtures	Check address setting on fixture and controller
	Bad data link connection	Inspect cables and correct poor connections and/or broken cables.
	Conflict between tracking and vector control	Eliminate scene cross-fade on controller
	Data link not terminated	Insert termination plug in output of last fixture
	Defective fixture or 2 devices transmitting on link	Bypass fixtures one at a time until normal operation is regained:unplug both connectors and connect them directly together
Colors cannot be mixed	Random color mixing is on	Turn off random color mixing
Fixture does not reset correctly	Electronic or mechanical failure	Contact service technician

Section 4. Reference

- ◇ Control Menu
- ◇ DMX protocol
- ◇ Specifications

Control Menu





Comment:

- 1, Display will black out if without any operation within 30 seconds,
- 2, Press "ENTER" and keep it for 5 seconds, display will show temperature
- 3, Press "ENTER" and keep it for 5 seconds to lock keypads.
Press "ENTER" again and keep it for 5 seconds to unlock keypads.

DMX Protocol: 3CH

Channel	Function	Effect
1	Dimmer	0-255: White linear dimmer, from dark to light
2	Strobe	0-1: No applicable; 2-255: strobe speed, from slow to fast
10	Dimmer Curve/ Power Limiter	0-20: standard dimmer curve 21-40: dimmer curve 1 41-60: dimmer curve 2 61-80: dimmer curve 3 81-100: dimmer curve 4 101-149: N/A 150-155: (3 second interval) power limiter off; 156-199: N/A 200-205: (3 second interval) power limiter on 206-255: N/A

Comment: When LED lamp temperature increase to 80°C, the Max. power consumption will be 50%; When LED lamp temperature decrease to 58°C, the Max. power consumption will be 100% ;

DMX Protocol: 1CH

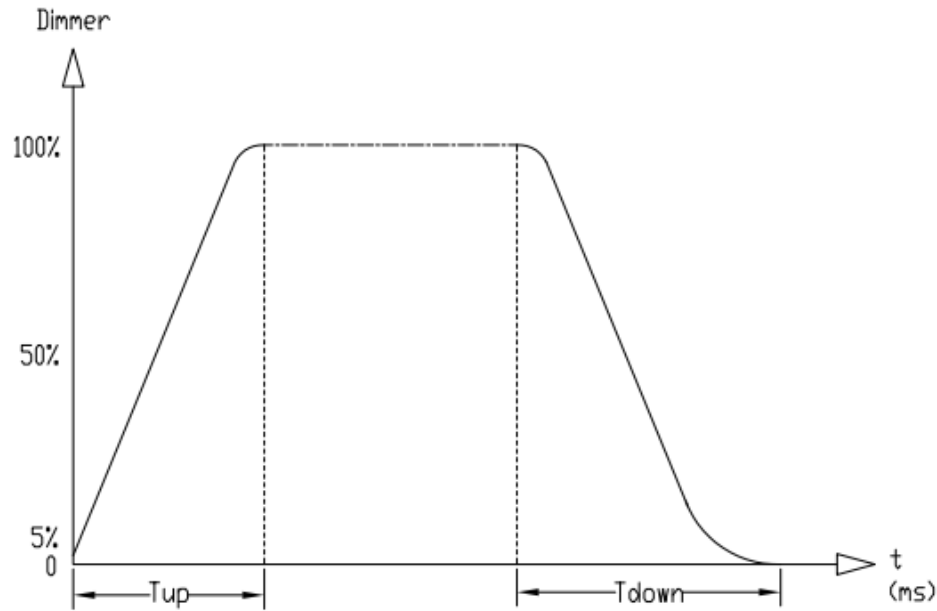
Channel	Function	Effect
1	Dimmer	0-255: White linear dimmer, from dark to light

Comment 1: when LED lamp temperature is over 58°C, the detective fan starts working; when LED lamp temperature decrease to 45°C again, the detective fan stop working.

Comment 2: Power limiter system is independent with detective fan working system.

Dimmer Curve :

5 dimmer curves are available to call up.



Ramp Effect	Menu	Tup(ms)	Tdown(ms)
Standard Dimmer Curve	dr-0	0	0
Dimmer Curve 1	dr-1	980	1010
Dimmer Curve 2	dr-2	1210	1320
Dimmer Curve 3	dr-3	1600	1710
Dimmer Curve 4	dr-4	1850	1980

Master and slave: Set up one fixture as Master fixture (triggering), other fixtures as slave fixtures (receiving trigger signals), when connect the signal cable, the slave fixtures will run and keep function synchronism as master fixtures.

Control more machines: Set up all fixtures d3-- or d.1—Menu, set all fixtures same addresses value or subject to DMX console performance (Attention: all fixtures use the same DMX channel 3 or 1CH).

Specifications

Power supply:	~230 V/50 Hz/160 VA
Operating voltage:	~230 V
Power consumption, operation:	160 VA
Wattage:	100 W
Light source:	1x 100 W COB LED, warm white 3200 K
Strobe:	0 ~ 20 Hz
Dimmer:	5 different dimmer curves
Cooling:	1x temperature-controlled fan
Admiss. ambient temp.:	0 - 40 °C
Beam angle	60° (can be adjusted by barn door)
Control mode	DMX512/Manual
Channels	3 or 1 DMX channels (switchable)
Net weight:	1.5kg
Dimensions:	W150*H220*D245mm (excluding bracket)
Connections:	3-pole XLR (DMX in), 3-pole XLR (DMX out)