

Compact LED Moving Head



TWIST-30LED

Order No. 38.8010



INSTRUCTION MANUAL

1. INTRODUCTION

Thank you for selecting this product. Equipped with one 30W high power white LED, this LED Moving Head is extremely bright. It offers DMX, Auto, Sound, Master/Slave. Ideal for small clubs, bars, parties, etc. To optimize the performance of this product, please read the user manual carefully before use.


1.1 Unpacking

The following items are included in the box:

- 1 x TWIST-30LED
- 1 x Power cord
- 1 x Mounting bracket
- 1 x User Manual

Carefully unpack the carton, check the contents to ensure that all parts are present, and have been received in good condition. Contact your supplier immediately and retain packing material for inspection if any part is missing or damaged.

1.2 Safety Instructions

 **Warning!!!** To reduce the risk of fire, electric shock, or injury to persons, follow these important safety instructions:

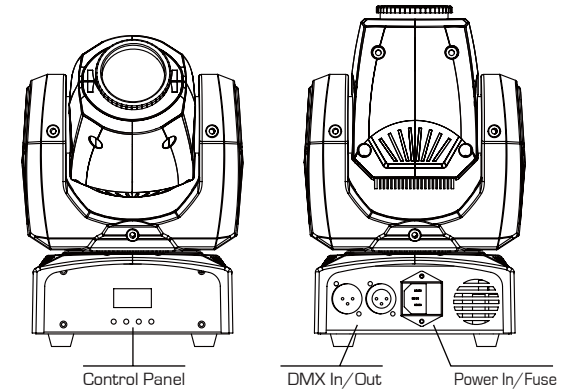
- The product is for indoor use only.
- Always turn off, unplug power and allow fixture to cool before servicing.
- Ensure that fixture is properly grounded.
- Please keep this User Guide for future consultation.
- Always make sure that you are connecting to the proper voltage and that the line voltage you are connecting to is not higher than that stated on decal or rear panel of the fixture.
- Always disconnect from power before servicing or replacing fuse.
- Make sure power cord is never crimped or damaged.

Caution!
Avoid looking directly into the LED light beam at a close distance!

1.3 Features

- LED Spot moving head
- 1 color wheel: 7 colors + white
- 1 Gobo wheel: 7 gobos + open
- Color rainbow + Gobo shaking
- Manual focus
- 4 working modes: DMX, Auto, Sound, Master/Slave
- DMX modes: 10/5 channels
- Pan : 540° Tilt: 210°
- 0-100% linear dimmer
- 1-25 fps strobe
- 4-button LED display

1.4 Product overview

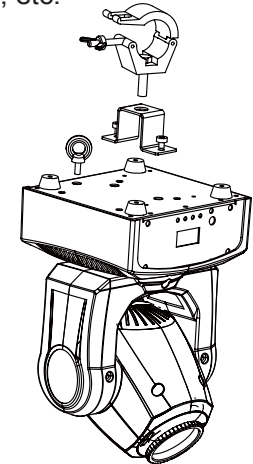


2. SETUP

2.1 Mounting

The Moving Head is fully operational in any mounting position, hanging upside-down, side mounted, or set on a flat level surface, etc.

IMPORTANT!!! Safety cables must always be used when unit is ceiling or truss mounted. The safety cable must be capable of holding 10 times the weight of the fixture.



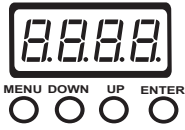
2.3 AC Power

The fixture is designed to work on AC 230V 50Hz. All units must be powered directly from a switched circuit. This unit cannot be run on a rheostat or dimmer circuit even if used solely for a 0% to 100% switching.

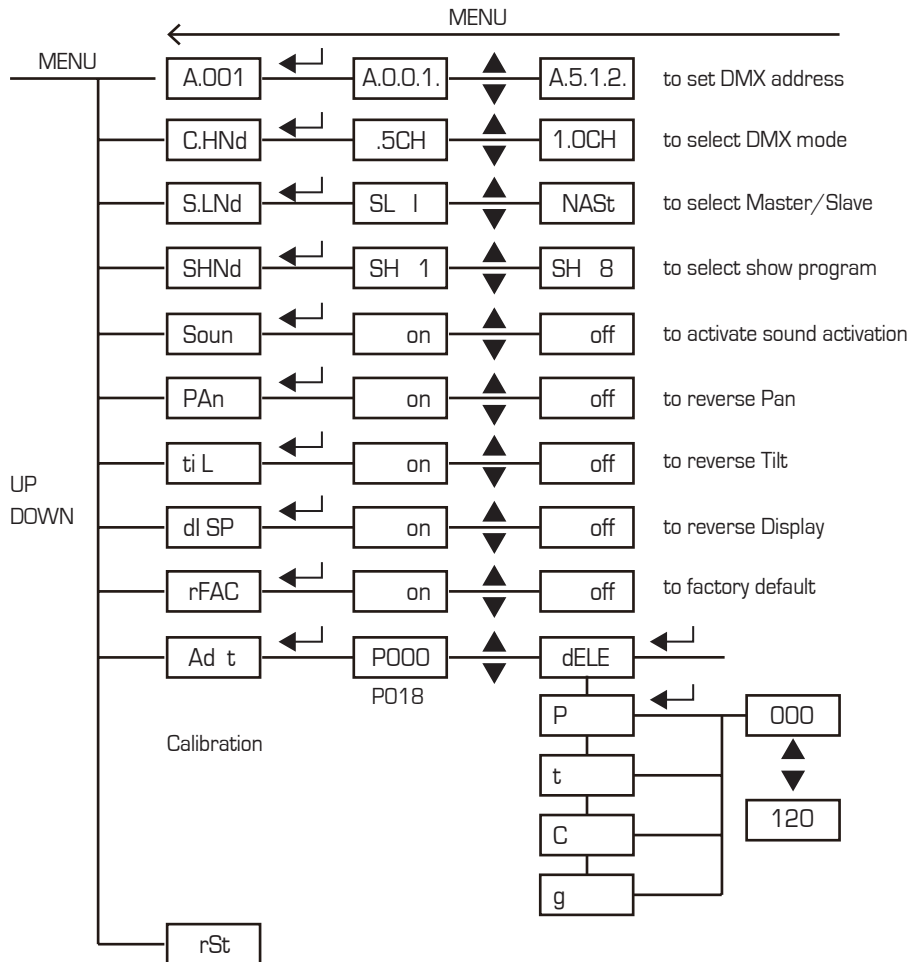
WARNING!!! All fixtures must be connected to circuits with a suitable Earth Ground.

3. OPERATION INSTRUCTIONS

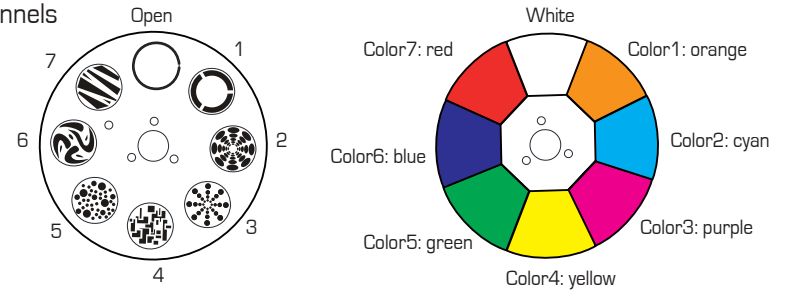
3.1 Menu Map



- MENU → Scroll through the main menu or exit from the current sub-menu
- DOWN ▼ the currently selected menu or confirm the current function value Scroll
- UP ▲ through the menu list or decrease the value of the current function value Scroll
- ENTER ↵ through the menu list or increase the value of the current function



5 DMX Channels



CHANNEL	VALUE	FUNCTION
1 Pan	000-255	Pan movement
2 Tilt	000-255	Tilt movement
3 Dimmer/Strobe	000-200	Dimmer 0-100%
	201-254	Strobe from slow to fast
	255-255	Strobe open
4 Color	000-023	White (open)
	024-047	Color 1
	048-071	Color 2
	072-095	Color 3
	096-119	Color 4
	120-143	Color 5
	144-167	Color 6
	168-191	Color 7
	192-255	Color rainbow effect from slow to fast
	5 Gobo/Auto program	000-011
012-023		Gobo 1
024-035		Gobo 2
036-047		Gobo 3
048-059		Gobo 4
060-071		Gobo 5
072-083		Gobo 6
084-095		Gobo 7
096-135		Empty
136-150		Auto program 1
151-165		Auto program 2
166-180		Auto program 3
181-195		Auto program 4
196-210		Auto program 5
211-225		Auto program 6
226-230		Auto program 7
231-240		Auto program 8
241-250	Sound activation	

10 DMX Channels

MODE	VALUE	FUNCTION
1 Pan	000-255	Pan movement
2 Pan fine	000-255	Pan fine
3 Tilt	000-255	Tilt movement
4 Tilt fine	000-255	Tilt fine
5 P/T speed	000-255	Pan/Tilt speed from fast to slow
6 Dimmer	000-255	Dimmer 0-100%
7 Strobe	000-004	Strobe close
	005-250	Strobe from slow to fast
	251-255	Strobe open
8 Color	000-023	White (open)
	024-047	Color 1
	048-071	Color 2
	072-095	Color 3
	096-119	Color 4
	120-143	Color 5
	144-167	Color 6
	168-191	Color 7
9 Gobo	192-255	Color rainbow effect from slow to fast
	000-011	Open (White)
	012-023	Gobo 1
	024-035	Gobo 2
	036-047	Gobo 3
	048-059	Gobo 4
	060-071	Gobo 5
	072-083	Gobo 6
	084-095	Gobo 7
	096-111	Gobo 1 shaking from slow to fast
	112-127	Gobo 2 shaking from slow to fast
	128-143	Gobo 3 shaking from slow to fast
	144-159	Gobo 4 shaking from slow to fast
	160-175	Gobo 5 shaking from slow to fast
	176-191	Gobo 6 shaking from slow to fast
	192-255	Gobo scrolls from slow to fast

10 Auto program	000-007	No function
	008-032	Auto program 1
	033-058	Auto program 2
	059-084	Auto program 3
	085-110	Auto program 4
	111-136	Auto program 5
	137-164	Auto program 6
	165-188	Auto program 7
	189-214	Auto program 8
	215-240	Auto program 9
241-250	Sound activation	
251-255	Reset (10s)	

4. General Maintenance

4.1 Fuse Replacement

- Unscrew the fuse holder and remove the damaged fuse.
- Replace with exact same type fuse and screw the fuse holder back in its place.

5. Specifications

Source: 1 x 30W white LED
 Beam angle: 13°
 Power consumption: 70VA
 Fuse: F2AL/250V
 Power supply: AC 230V, 50Hz
 Dimensions: 170 x 270 x 150 mm
 Weight: 2.5 kg

IMPORTANT INFORMATION!

In order to optimize the recovery and recycling of the materials that old appliances contain and reduce the impact on human health and the environment, ensure that this product is recycled at the end of its life.

